



# Catamount®

**T&B Catalog Number:** L-8-18-0-C  
**UPC Number:** 72849491760  
**Description:** Cable Tie 18lb 8" Ultraviolet Resistant Black All-Nylon 100 Per Bag

**Status:** Active

### General

**Material:** Nylon 6.6 Weather Resistant  
**Color:** Black

### Dimension Information

**Length (inches):** 8.0  
**Width (inches):** 0.100  
**Max. Wire Bundle Diameter (inches):** 2  
**Min. Wire Bundle Diameter (inches):** 1/16

### Specifications

**Tensile Strength (lbs.):** 18  
**Temperature Rating:** -40°F to 185°F  
**Flammability Rating:** UL 94 V-2

### Tooling

**Application Tools:** ERG50, QC-100, L-200, L-400-C

### Packaging

**T&B Order Multiple:** 100  
**T&B Inner Pack:** 100  
**Package in Units:** 20000  
**Package Type:** Standard  
**T&B Sold in UOM:** Each  
**T&B Weight Per UOM:** 1.59 lbs. per 1000

### Application Support

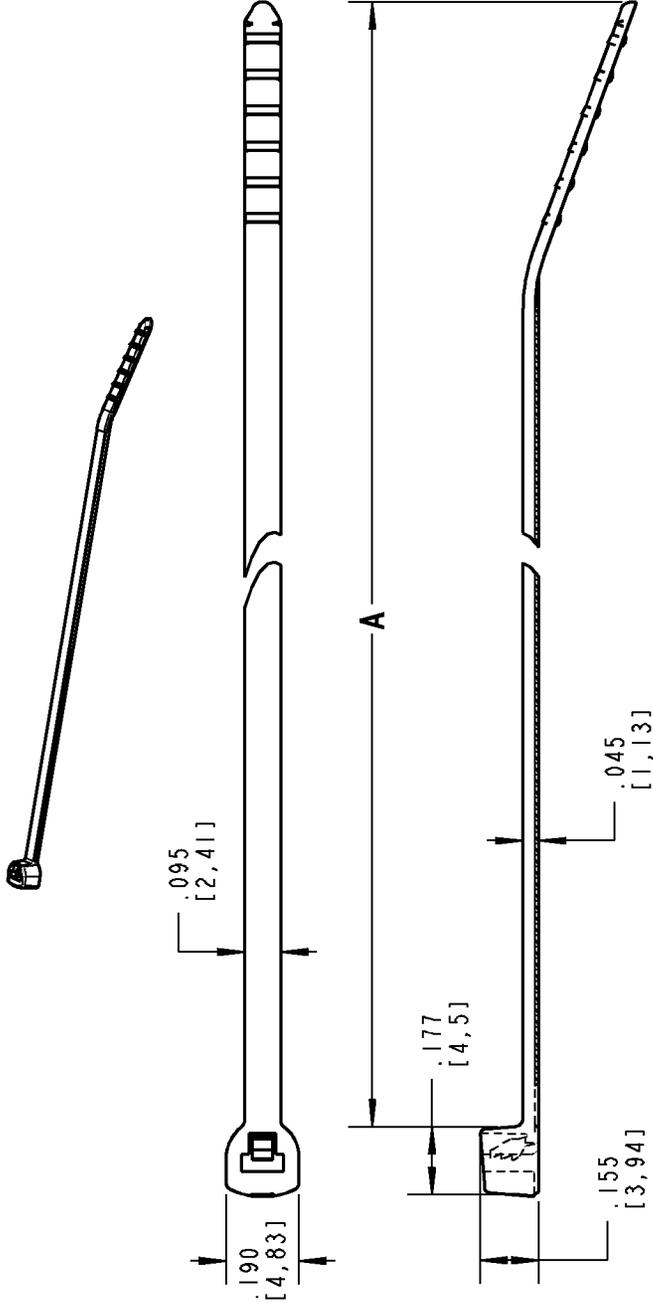
**T&B Sales Drawings:** wsd-000218  
**Overview:** Available on Website  
**Material Selection Guide:** Available on Website  
**Available Colors:** Available on Website

### Certifications

**RoHS Compliance:** Yes

### Certifications





**NOTES:**

1. MATERIAL: NYLON 6,6
2. FLAMMABILITY: UL94V-2
3. OPERATING TEMPERATURE RANGE: -40°F [-40°C] TO 185°F [85°C]
4. MINIMUM TENSILE RATING: 18 LBS [80 N]
5. MINIMUM WIRE BUNDLE: .0625 [1,59]
6. MAXIMUM WIRE BUNDLE: SEE TABLE
7. INSTALLATION TOOL/SETTING: WT199/1-3 (MS90387-1) OR ERG299/1-3

CATALOG NUMBER	MAXIMUM WIRE BUNDLE	A
L-4-18-**-**	.625 [18,88]	3.940 [100,08]
L-4-18L-**-**	.625 [15,88]	3.940 [100,08]
L-6-18-**-**	1.500 [38,1]	6.123 [155,52]
L-8-18-**-**	2.000 [50,8]	7.823 [198,7]

\* = COLOR CODE - 0= BLACK (OUTDOOR) 4= YELLOW 8= GRAY 17= FLUORESCENT YELLOW  
 1= BROWN 5= GREEN 9= NATURAL 18= FLUORESCENT GREEN  
 2= RED 6= BLUE 11= FLUORESCENT PINK 20= FLUORESCENT BLUE  
 3= ORANGE 7= PURPLE 16= FLUORESCENT ORANGE

\*\* = PACKAGING- C= STD PKG (100) M= BULK PKG (1,000)

CONSULT CUSTOMER SERVICE FOR PACKAGE QUANTITY AVAILABILITY

**FLUORESCENT COLORS NOT 'UR' OR 'CE' RECOGNIZED OR LISTED**

**GENERAL NOTES**

1. ALL DIMENSIONS ARE FOR REFERENCE ONLY.
2. DIMENSIONS IN BRACKETS [ ] ARE IN METRIC UNITS.

**REVISIONS**

- SEE ERN ( \*\*\*\* ) FOR APPROVAL SIGNATURES & RELEASE DATE.  
 PROJECT NO: \*\*\*\*

**4", 6" & 8" SERIES 18  
 MINIATURE CABLE TIES**

DESCRIPTION:

ORIGINAL PROJECT NO / ( ERN NO )

FM40182 / ( 2006127 )

SHEET NO:

1 OF 1

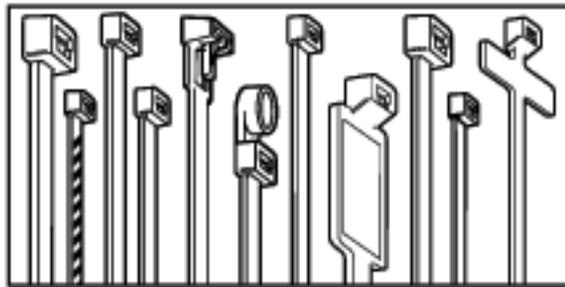
REV. NO:

-

DRAWING NO:

WSD-000218

# Ty-Fast® Cable Ties



- MINIATURE
- HEAVY DUTY
- INTERMEDIATE
- EXTRA HEAVY DUTY
- STANDARD
- RELEASABLE TIES

- MOUNTING HEAD
- STRIPED TIES
- RESTRICTED BUNDLE
- IDENTIFICATION TIES
- MIL-SPEC TIES

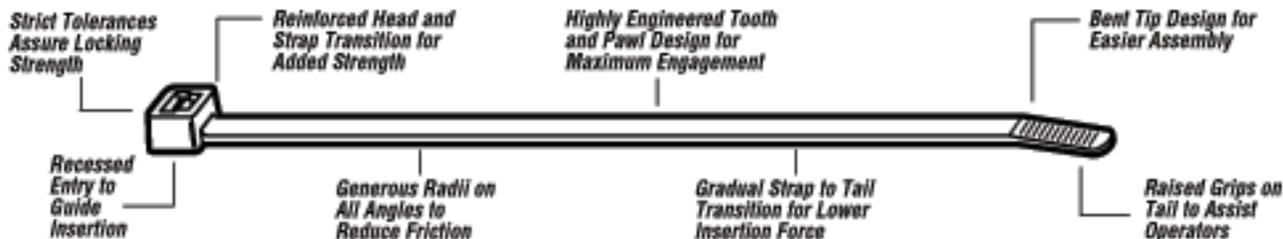
Ty-Fast® Cable Ties are available in lengths from 4" to our exclusive 48" strap. Cable Ties will satisfy bundling requirements from 1/8" to 15" and loop tensile strengths from 18 to 175 pounds.

Cable Ties are stocked in materials and colors as listed. Contact your Ty-Fast® Distributor or Customer Service Representative for availability in special materials and colors.

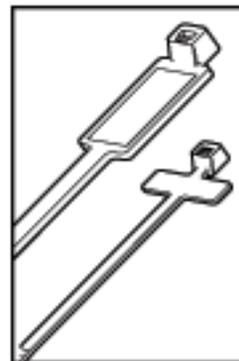
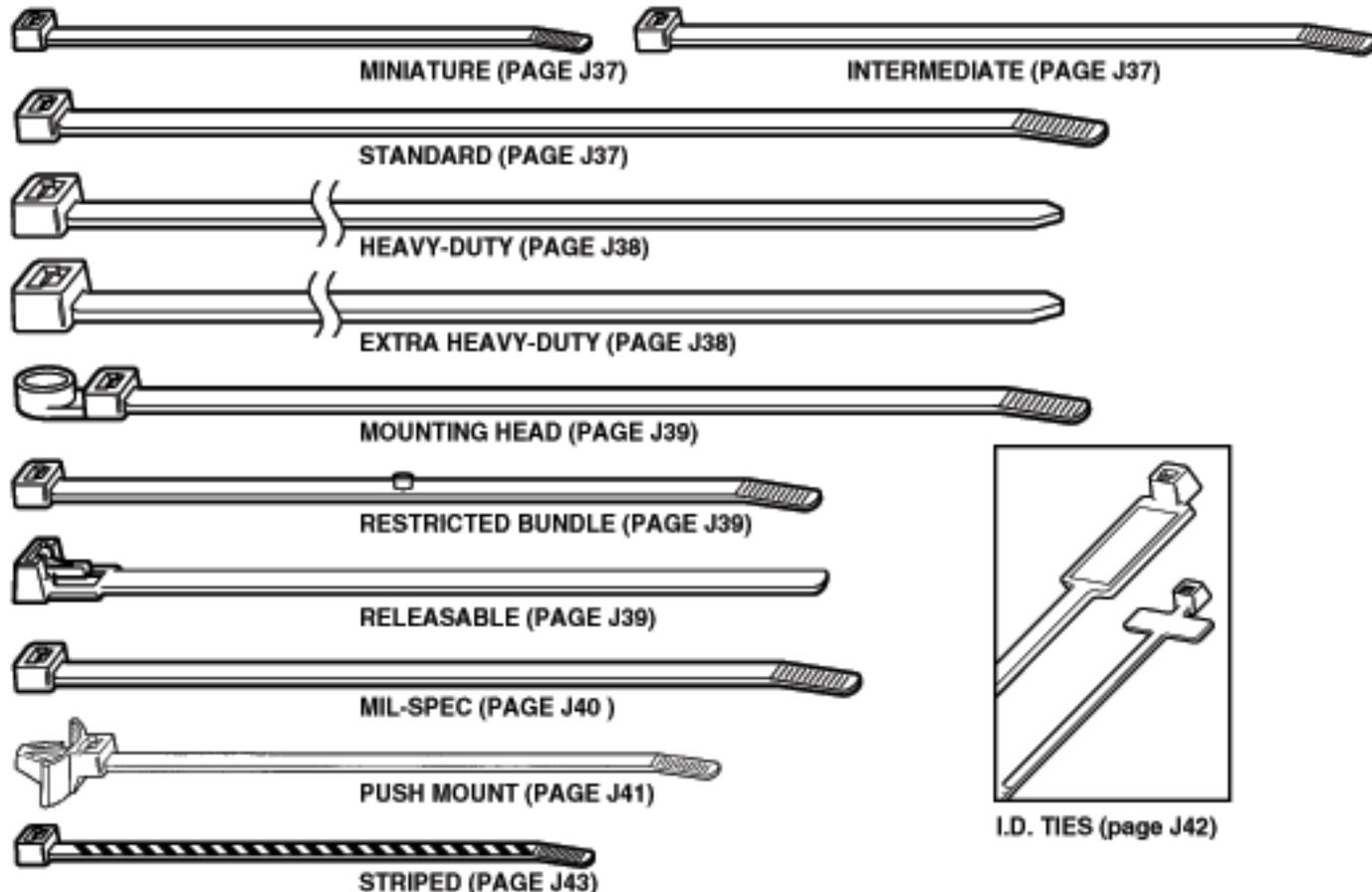
Where applicable, Ty-Fast® Cable Ties are UL Recognized, Mil-Spec Approved and/or QPL Listed.

State-of-the-art robotic and raw material handling equipment assures product and material integrity throughout the manufacturing process. Overall quality is achieved through statistical analysis and quality driven operator objectives. Ty-Fast® has attained Mil-Spec I-45208 quality ratings from a number of equipment manufacturers.

Ty-Fast® products are sold through stocking T&B Distributors.



Ty-Rap®/Ty-Fast®



I.D. TIES (page J42)

**Thomas & Betts**

## Catamount® Cable Ties

Catamount® Ties and Terminals fit the needs of general-purpose fastening and wire terminations. Installers quickly discover that Catamount products offer durable and value-priced cable bundling for a variety of commercial and residential construction applications. Electricians can also take advantage of other benefits in stocking Catamount products in their toolboxes, such as more terminals per bag in most popular sizes than leading comparable brands.

Catamount Ties and Terminals are offered in a wide range of sizes, styles and colors and meet listing requirements for most electrical termination and fastening projects. A choice of matching tools are also offered to provide quick and reliable installations.

### Miniature — Series 18



CAT. NO.	LENGTH (IN.)	MAX. BUNDLE DIA.	COLOR	STD. QTY.
L-4-18-9-C	4.0	1/2	Natural	100
L-4-18-0-C	4.0	1/2	Black	100
L-6-18-9-C	6.4	1 1/2	Natural	100
L-6-18-0-C	6.4	1 1/2	Black	100
L-8-18-9-C	8.0	2	Natural	100
L-8-18-0-C	8.0	2	Black	100

Bulk packages available. Contact Customer Service.

Use QC-102, L-200, L-400-C or ERG-50 Installation Tools

### Intermediate — Series 30



CAT. NO.	LENGTH (IN.)	MAX. BUNDLE DIA.	COLOR	STD. QTY.
L-5-30-9-C	5.6	1 1/2	Natural	100
L-5-30-0-C	5.6	1 1/2	Black	100
L-8-40-9-C	8.5	2	Natural	100
L-8-40-0-C	8.5	2	Black	100
L-11-40-9-C	11.5	3	Natural	100
L-11-40-0-C	11.5	3	Black	100
L-14-40-9-C	14.5	4	Natural	100
L-14-40-0-C	14.5	4	Black	100

Bulk packages available. Contact Customer Service.

Use QC-102, L-200, L-400-C or ERG-50 Installation Tools

### Standard — Series 50



CAT. NO.	LENGTH (IN.)	MAX. BUNDLE DIA.	COLOR	STD. QTY.
L-5-50-9-C	5.5	1	Natural	100
L-5-50-0-C	5.5	1	Black	100
L-7-50-0-C	7.5	1 1/2	Natural	100
L-7-50-9-C	7.5	1 1/2	Black	100
L-11-50-9-C	11.1	3	Natural	100
L-11-50-0-C	11.1	3	Black	100
L-14-50-9-C	14.1	4	Natural	100
L-14-50-0-C	14.1	4	Black	100

Bulk packages available. Contact Customer Service.

Use QC-102, L-200, L-400-C or ERG-50 Installation Tools

### Heavy-Duty — Series 120



CAT. NO.	LENGTH (IN.)	MAX. BUNDLE DIA.	COLOR	STD. QTY.
L-8-120-9-C	8.0	2	Natural	100
L-8-120-0-C	8.0	2	Black	100
L-11-120-9-C	11.1	3	Natural	100
L-11-120-0-C	11.1	3	Black	100
L-14-120-9-C	14.2	4	Natural	100
L-14-120-0-C	14.2	4	Black	100
L-18-120-9-L	18.0	4 1/2	Natural	50
L-18-120-0-L	18.0	4 1/2	Black	50
L-24-120-9-L	24.2	7	Natural	50
L-24-120-0-L	24.2	7	Black	50
L-28-120-9-L	28.0	9	Natural	50
L-28-120-0-L	28.0	9	Black	50

Use L-300C or ERG-120 Installation Tool

### Extra Heavy-Duty — Series 175



CAT. NO.	LENGTH (IN.)	MAX. BUNDLE DIA.	COLOR	STD. QTY.
L-24-175-9-L	24.0	7.2	Natural	50
L-24-175-0-L	24.0	7.2	Black	50
L-34-175-9-L	34.0	10	Natural	50
L-36-175-9-L	36.0	10 1/2	Natural	50
L-36-175-0-L	36.0	10 1/2	Black	50
L-41-175-9-L	41.0	12	Natural	50
L-41-175-0-L	41.0	12	Black	50
L-48-175-9-L	48.0	15	Natural	50
L-48-175-0-L	48.0	15	Black	50

Use L-300C Installation Tool

### Identification Ties



CAT. NO.	LENGTH (IN.)	MAX. BUNDLE DIA.	COLOR	STD. QTY.
L-7-50ID-9-C	7.675	1 1/2	Natural	100
L-4-18ID-9-C	4.0	1/2	Natural	100

Bulk packages available. Contact Customer Service.

Use QC-102, L-200 or L-400-C Installation Tool

#### Sample Catalog Order:



4" Length, 18-lb. Tensile Strength, Natural Color, 100-Pack Quantity

#### Color Table

- |            |                         |
|------------|-------------------------|
| 0 - Black  | 9 - Natural             |
| 1 - Brown  | 11 - Fluorescent Pink   |
| 2 - Red    | 16 - Fluorescent Orange |
| 3 - Orange | 17 - Fluorescent Yellow |
| 4 - Yellow | 18 - Fluorescent Green  |
| 5 - Green  | 20 - Fluorescent Blue   |
| 6 - Blue   |                         |
| 7 - Purple |                         |
| 8 - Gray   |                         |

